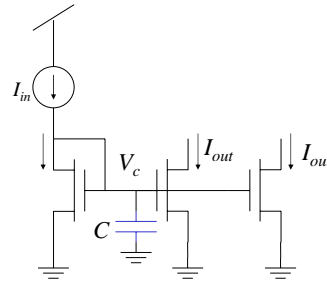


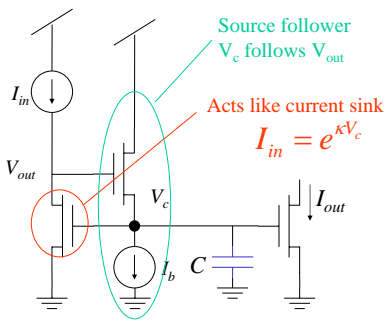
# Lec 7 (Similarity Circuits)

- Current conveyer
- Current correlator
- Bump circuit

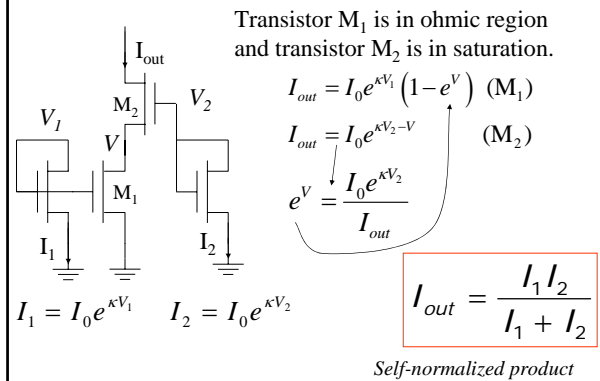
## Current mirror



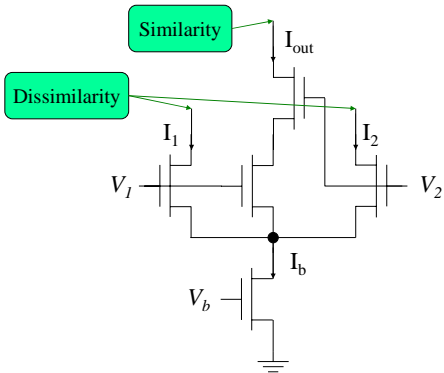
## Current conveyer



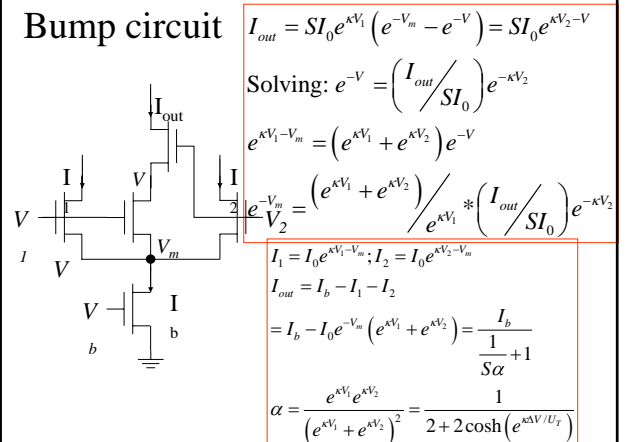
## Current correlator

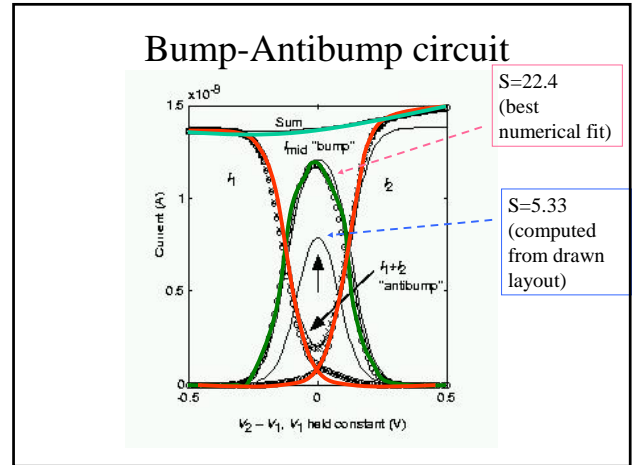
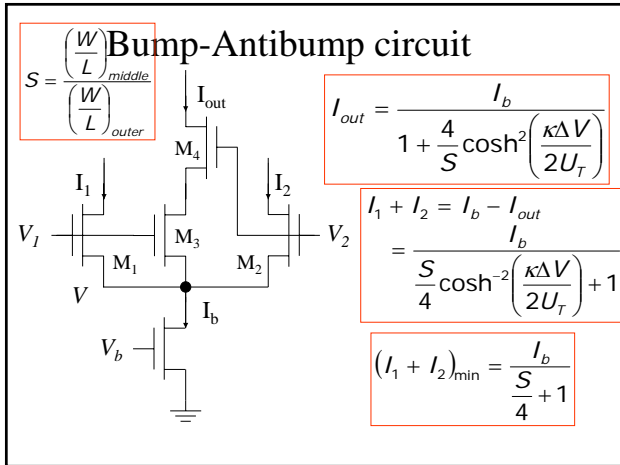


## Bump-Antibump circuit



## Bump circuit





THE END

Next week: Photoreceptors